

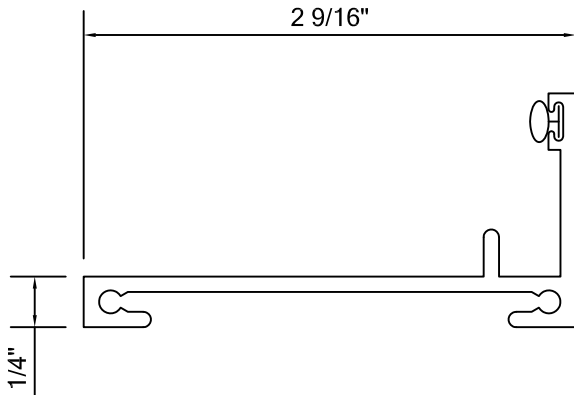
ALLIANCE WINDOW COMPANY, INC

PRODUCT INFORMATION:
MULLIONS
PG 1

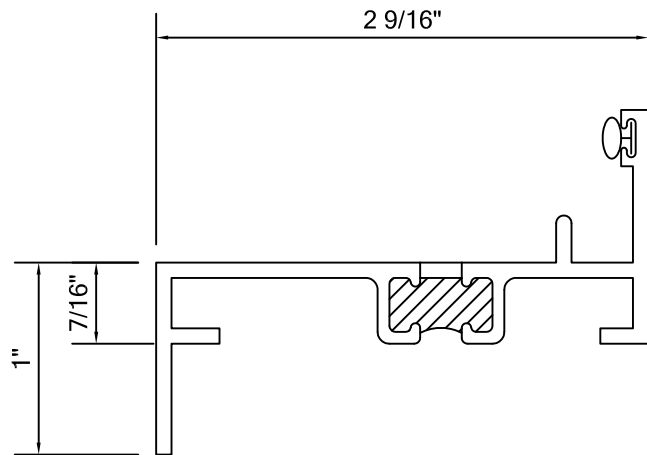
SCALE 1:2

*THERMAL FRAME SHOWN ALSO
AVAILABLE WITH NON-THERMAL FRAMING

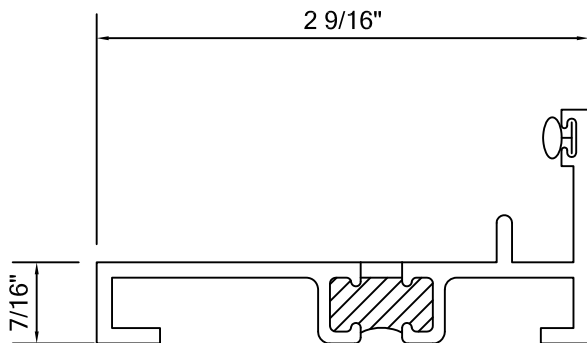
Commercial Aluminum Windows & Doors



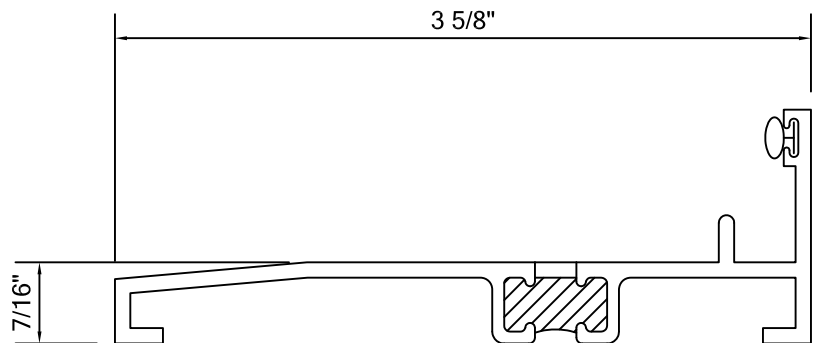
LOW PROFILE SUBSILL
(PART #19209)



FLANG THERMAL SUBSILL
(PART #19209)



THERMAL SUBSILL
(PART #19210)



THERMAL SUBSILL
(PART #32065)

SHAPES AND PARTS SHOWN ARE
STANDARD. CUSTOM SHAPES
ARE AVAILABLE UPON REQUEST.

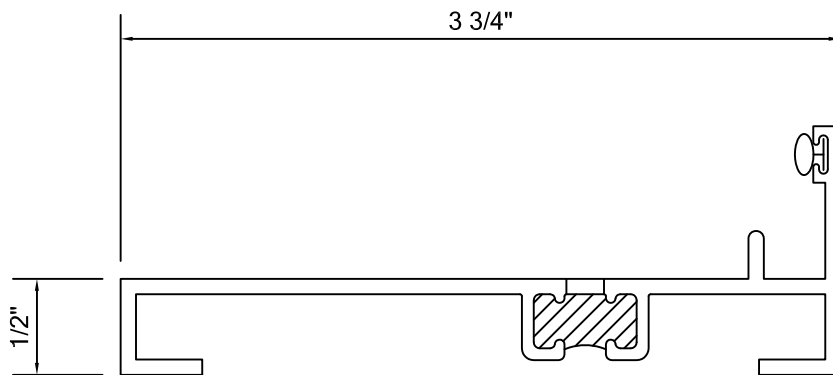
ALLIANCE WINDOW COMPANY, INC

PRODUCT INFORMATION:
MULLIONS
PG 2

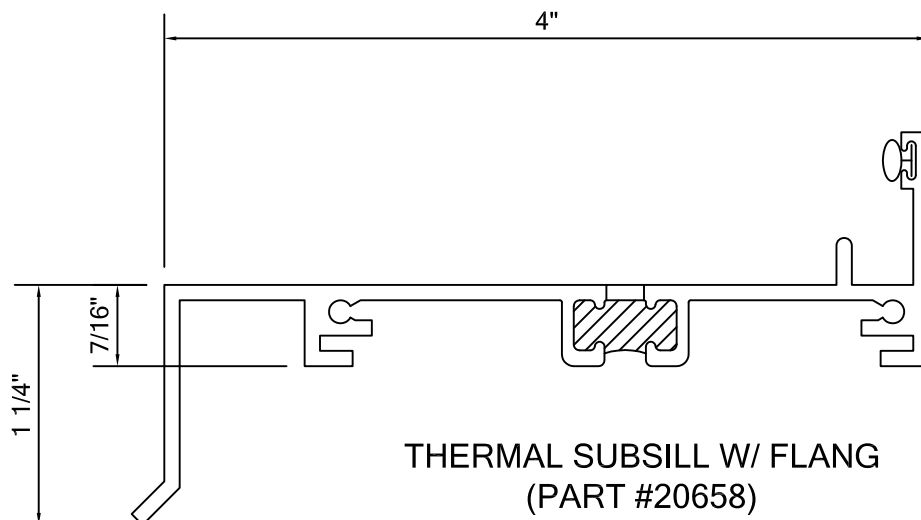
SCALE 1:1

*THERMAL FRAME SHOWN ALSO
AVAILABLE WITH NON-THERMAL FRAMING

Commercial Aluminum Windows & Doors



THERMAL SUBSILL
(PART #20625)



THERMAL SUBSILL W/ FLANG
(PART #20658)

SHAPES AND PARTS SHOWN ARE
STANDARD. CUSTOM SHAPES
ARE AVAILABLE UPON REQUEST.

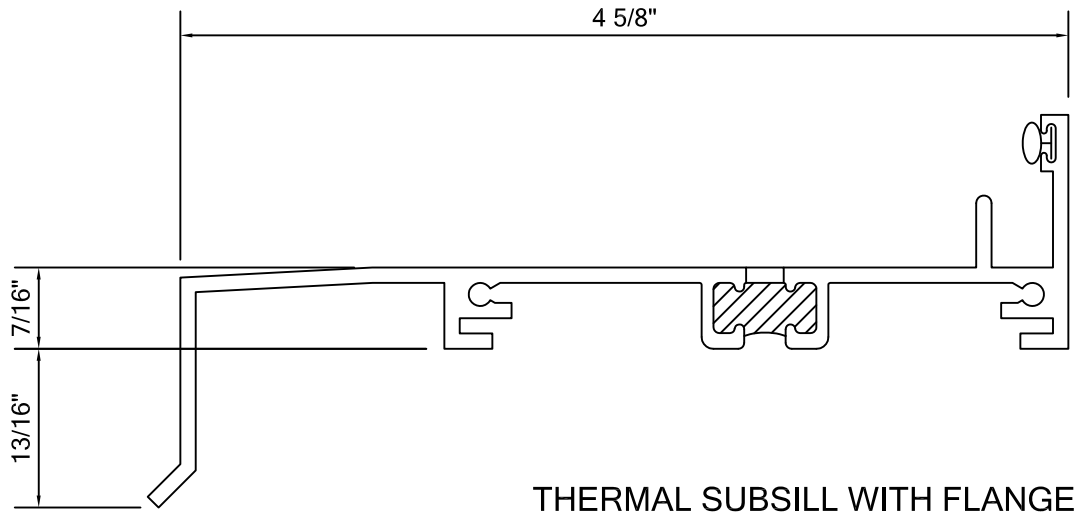
ALLIANCE WINDOW COMPANY, INC

PRODUCT INFORMATION:
MULLIONS
PG 3

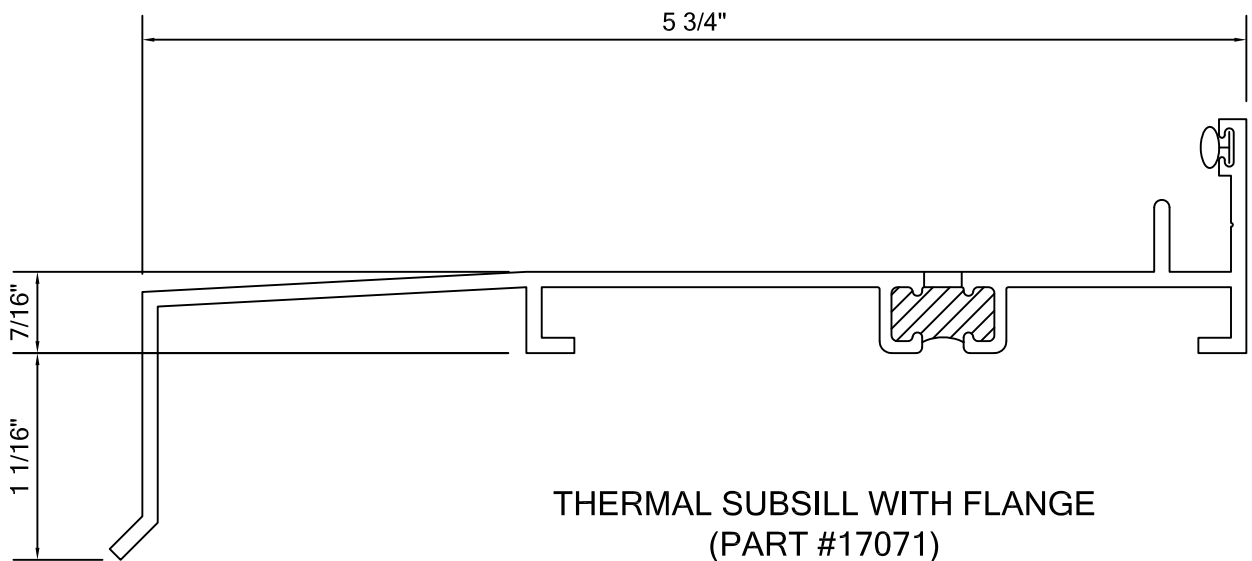
SCALE 1:1

*THERMAL FRAME SHOWN ALSO
AVAILABLE WITH NON-THERMAL FRAMING

Commercial Aluminum Windows & Doors



THERMAL SUBSILL WITH FLANGE
(PART #18142)



THERMAL SUBSILL WITH FLANGE
(PART #17071)

SHAPES AND PARTS SHOWN ARE
STANDARD. CUSTOM SHAPES
ARE AVAILABLE UPON REQUEST.

ALLIANCE WINDOW COMPANY, INC

PRODUCT INFORMATION:

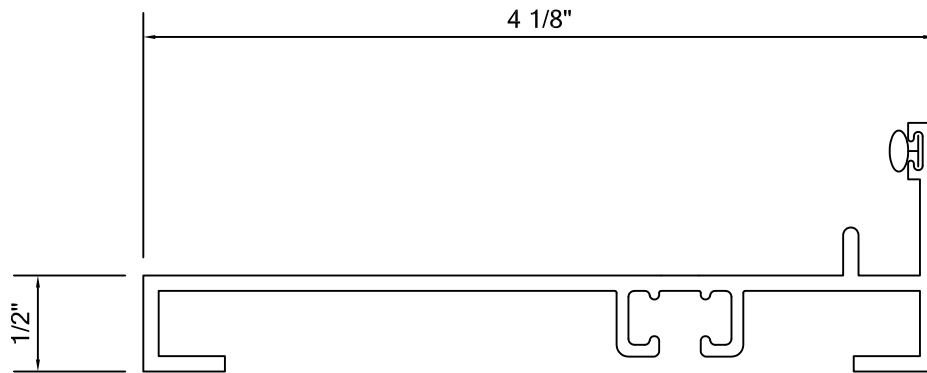
MULLIONS

PG 4

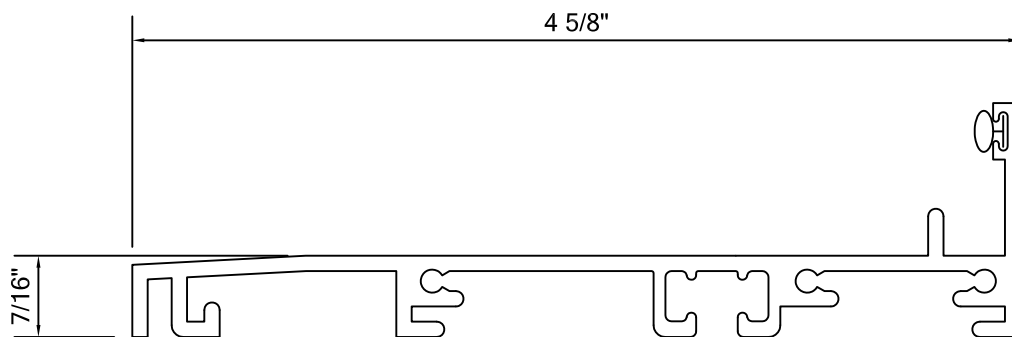
SCALE 1:1

*THERMAL FRAME SHOWN ALSO
AVAILABLE WITH NON-THERMAL FRAMING

Commercial Aluminum Windows & Doors



THERMAL SUBSILL
(PART #21528)



THERMAL SUBSILL
(PART #19010)

SHAPES AND PARTS SHOWN ARE
STANDARD. CUSTOM SHAPES
ARE AVAILABLE UPON REQUEST.

ALLIANCE WINDOW COMPANY, INC

Commercial Aluminum Windows & Doors

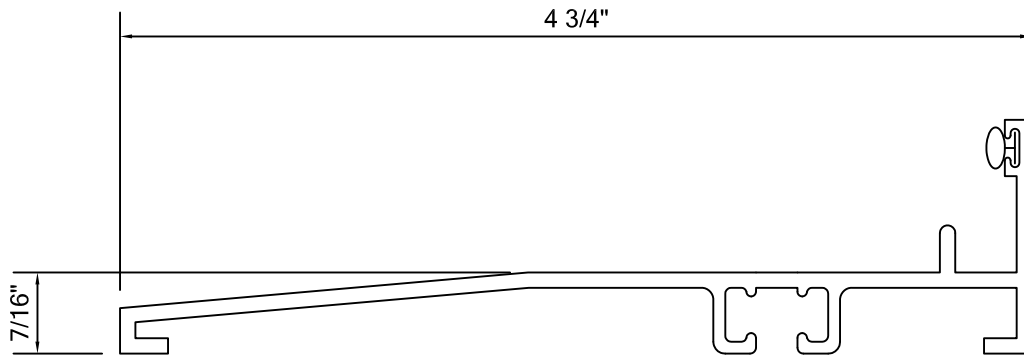
PRODUCT INFORMATION:

MULLIONS

PG 5

SCALE 1:1

*THERMAL FRAME SHOWN ALSO
AVAILABLE WITH NON-THERMAL FRAMING



THERMAL SUBSILL
(PART #16729)

SHAPES AND PARTS SHOWN ARE
STANDARD. CUSTOM SHAPES
ARE AVAILABLE UPON REQUEST.