

# ALLIANCE WINDOW COMPANY, INC

## PRODUCT INFORMATION:

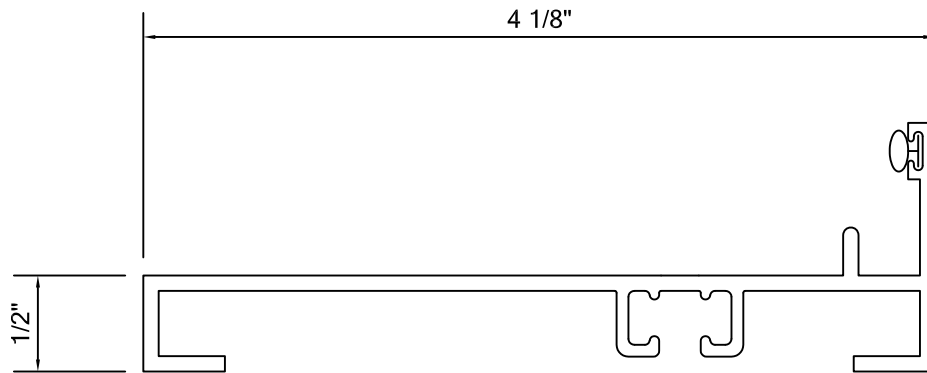
MULLIONS

PG 4

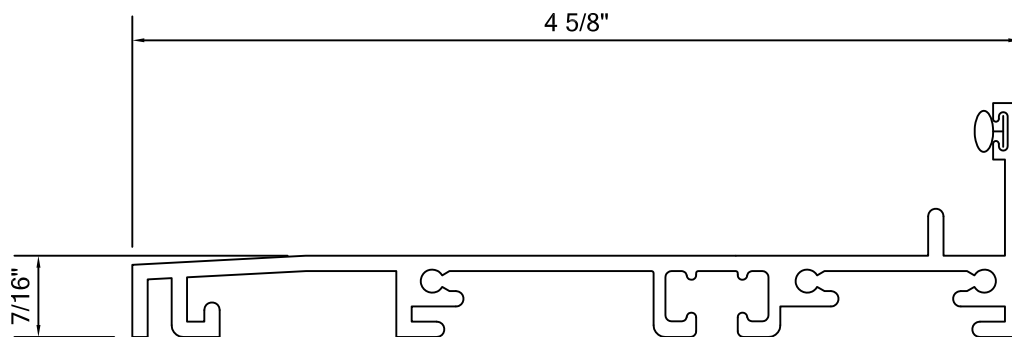
SCALE 1:1

\*THERMAL FRAME SHOWN ALSO  
AVAILABLE WITH NON-THERMAL FRAMING

Commercial Aluminum Windows & Doors



THERMAL SUBSILL  
(PART #21528)



THERMAL SUBSILL  
(PART #19010)

SHAPES AND PARTS SHOWN ARE  
STANDARD. CUSTOM SHAPES  
ARE AVAILABLE UPON REQUEST.