

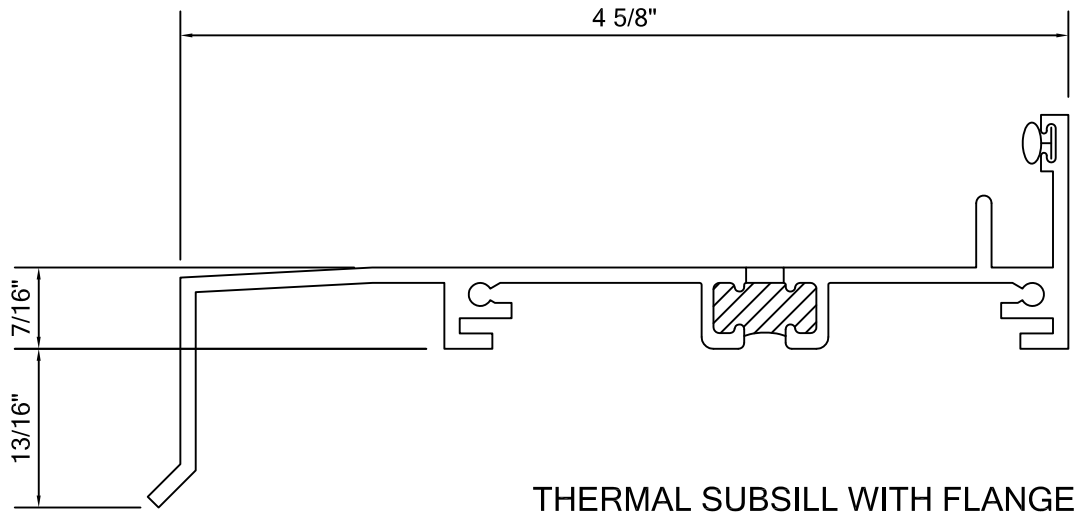
ALLIANCE WINDOW COMPANY, INC

PRODUCT INFORMATION:
MULLIONS
PG 3

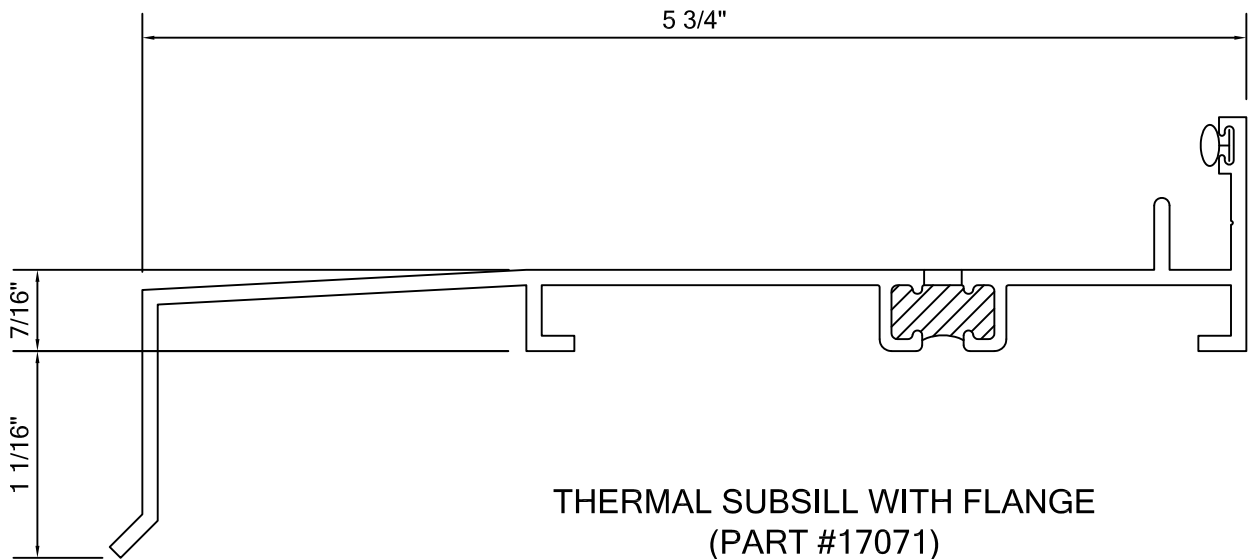
SCALE 1:1

*THERMAL FRAME SHOWN ALSO
AVAILABLE WITH NON-THERMAL FRAMING

Commercial Aluminum Windows & Doors



THERMAL SUBSILL WITH FLANGE
(PART #18142)



THERMAL SUBSILL WITH FLANGE
(PART #17071)

SHAPES AND PARTS SHOWN ARE
STANDARD. CUSTOM SHAPES
ARE AVAILABLE UPON REQUEST.