

# ALLIANCE WINDOW COMPANY, INC

## PRODUCT INFORMATION:

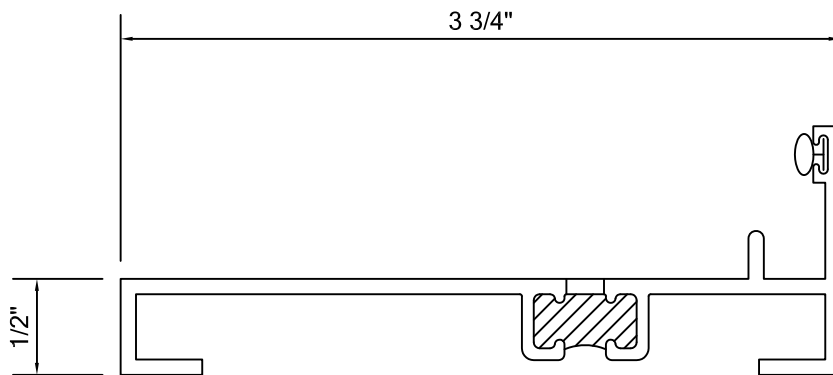
MULLIONS

PG 2

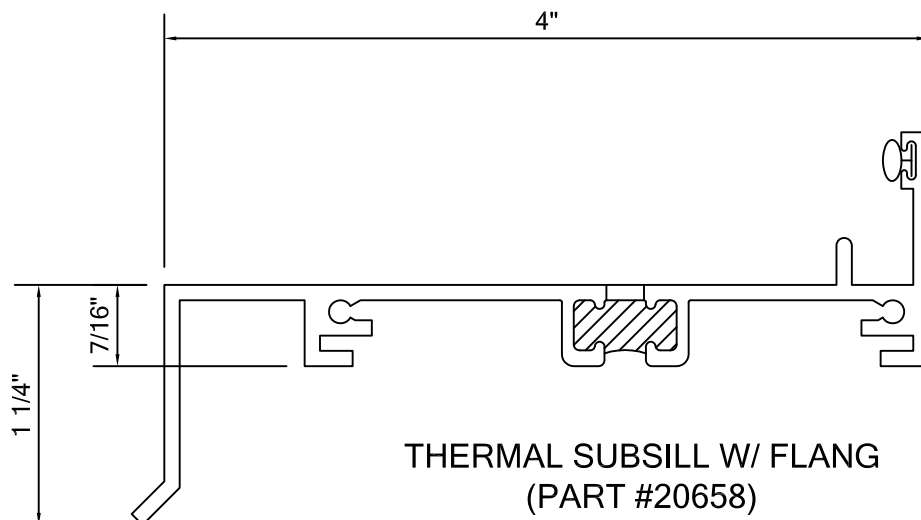
SCALE 1:1

\*THERMAL FRAME SHOWN ALSO  
AVAILABLE WITH NON-THERMAL FRAMING

Commercial Aluminum Windows & Doors



THERMAL SUBSILL  
(PART #20625)



THERMAL SUBSILL W/ FLANG  
(PART #20658)

SHAPES AND PARTS SHOWN ARE  
STANDARD. CUSTOM SHAPES  
ARE AVAILABLE UPON REQUEST.