

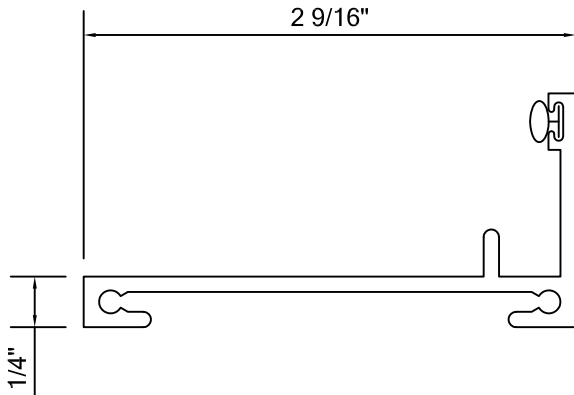
# ALLIANCE WINDOW COMPANY, INC

PRODUCT INFORMATION:  
MULLIONS  
PG 1

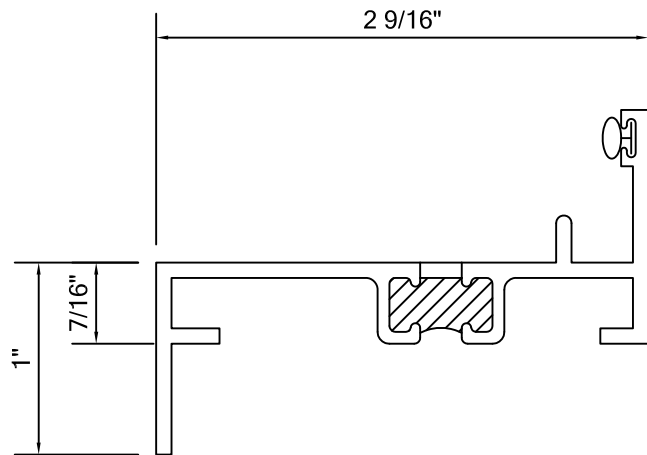
SCALE 1:2

\*THERMAL FRAME SHOWN ALSO  
AVAILABLE WITH NON-THERMAL FRAMING

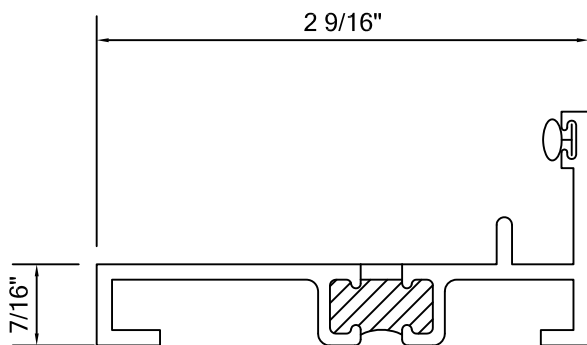
## Commercial Aluminum Windows & Doors



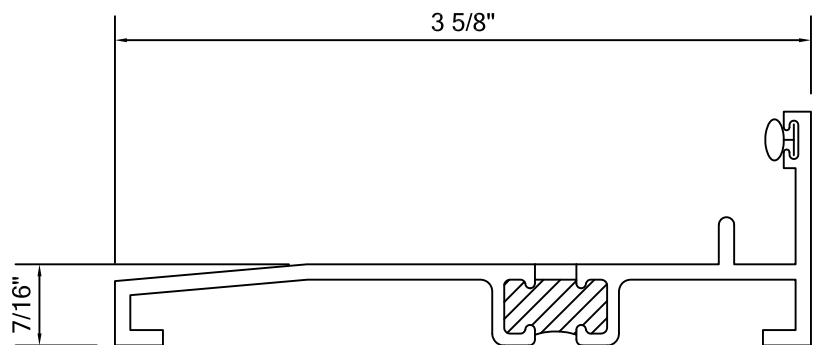
LOW PROFILE SUBSILL  
(PART #19209)



FLANG THERMAL SUBSILL  
(PART #19209)



THERMAL SUBSILL  
(PART #19210)



THERMAL SUBSILL  
(PART #32065)

SHAPES AND PARTS SHOWN ARE  
STANDARD. CUSTOM SHAPES  
ARE AVAILABLE UPON REQUEST.