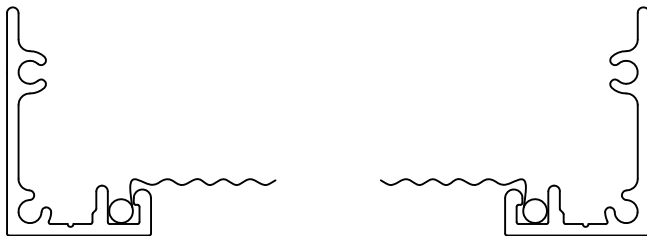
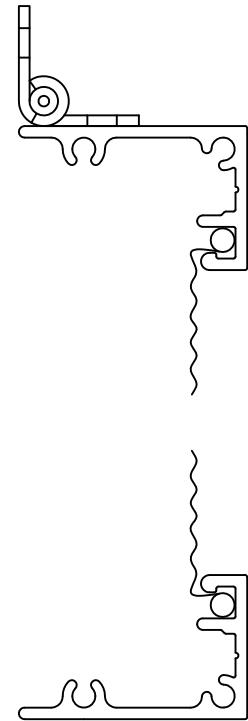
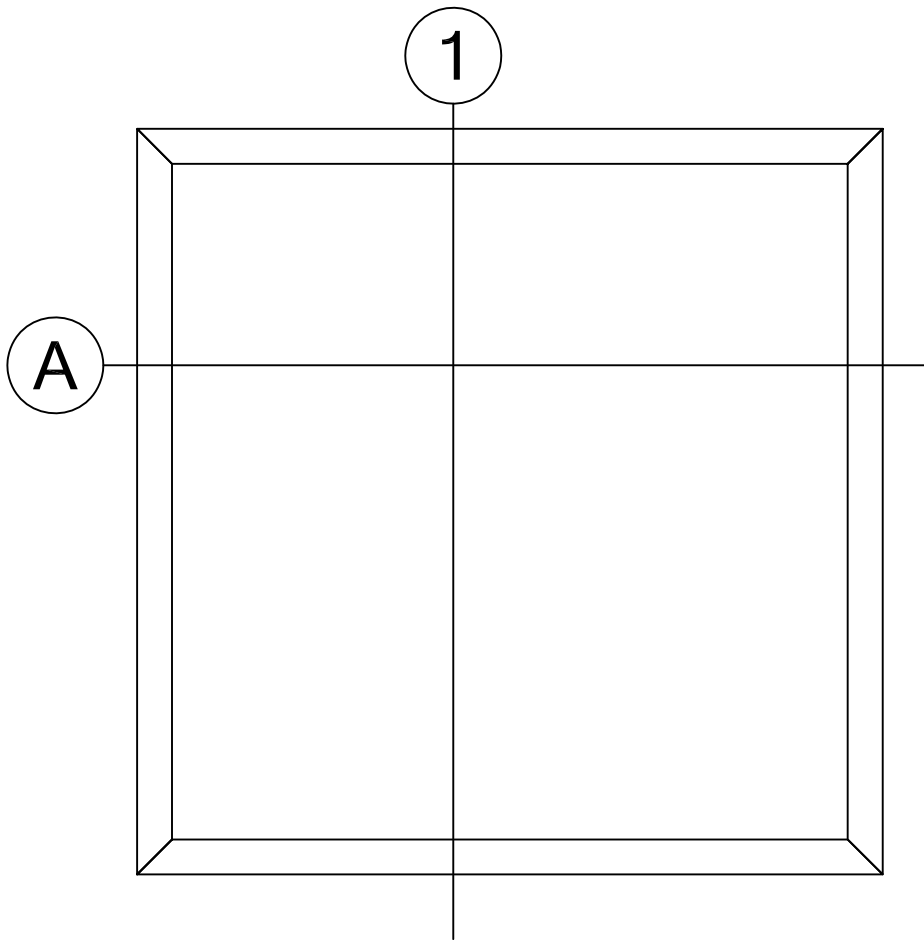


ALLIANCE WINDOW COMPANY, INC

PRODUCT INFORMATION:
SCREEN DETAILS
FULL HINGED SCREEN

SCALE 1:1

Commercial Aluminum Windows & Doors



14152 ARNDT ROAD N.E. AURORA, OREGON 97002

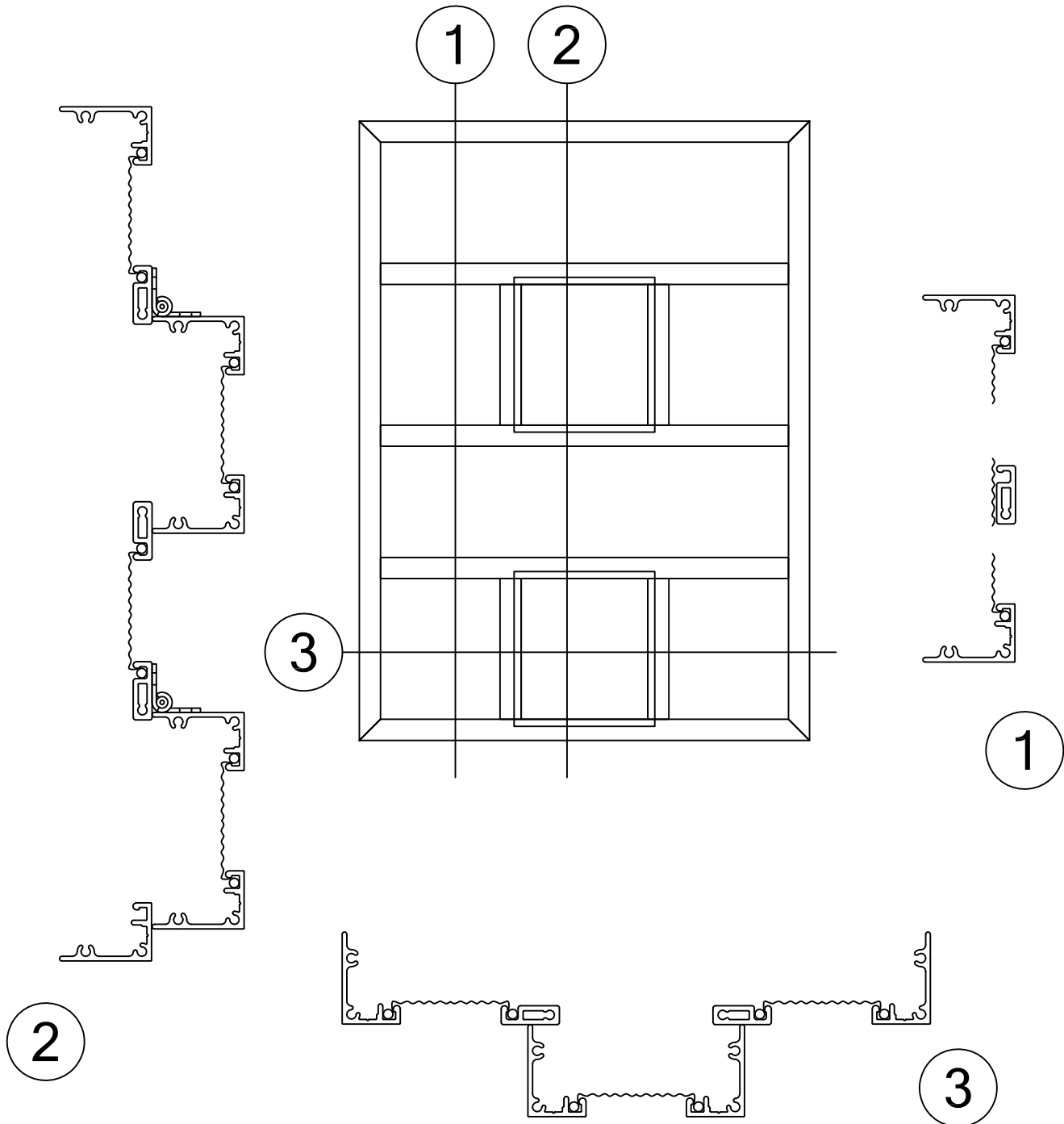
PHONE: 503.678.2966 FAX: 503.678.6876 WEB: WWW.ALLIANCEWINDOW.NET

ALLIANCE WINDOW COMPANY, INC

PRODUCT INFORMATION:
SCREEN DETAILS
WICKET SCREEN

SCALE 1:1

Commercial Aluminum Windows & Doors



14152 ARNDT ROAD N.E. AURORA, OREGON 97002

PHONE: 503.678.2966 FAX: 503.678.6876 WEB: WWW.ALLIANCEWINDOW.NET