

ALLIANCE WINDOW COMPANY, INC

Commercial Aluminum Windows & Doors

PRODUCT INFORMATION:

SINGLE HUNG WINDOW

600 SERIES

3-1/4" FRAME DEPTH

MFG CODE: 650 SH

- AAMA CW-50 RATED

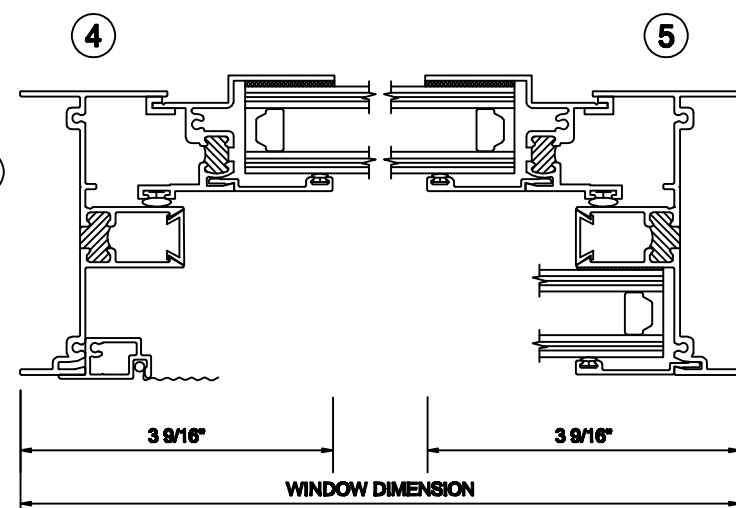
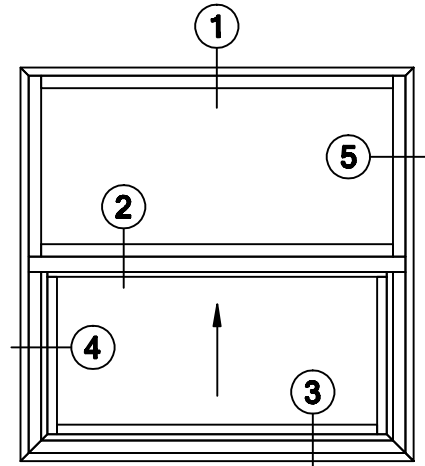
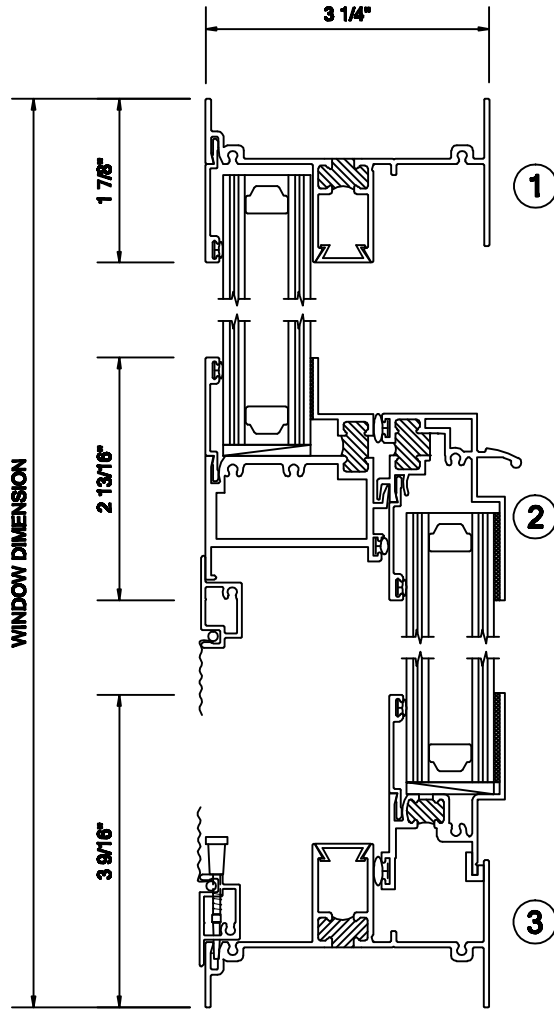
- CRF OF 54

- STC 36

- 90 PSF STRUCTURAL

- 8.5 PSF WATER

***THERMAL FRAME SHOWN ALSO
AVAILABLE WITH NON-THERMAL FRAMING**



***FRAMING SHOWN AS EQUAL LEG, ALSO AVAILABLE IN NAIL FIN,
FLANGE FRAME AND PROJECT SPECIFIC APPLICATIONS.**

14152 ARNDT ROAD N.E. AURORA, OREGON 97002

PHONE: 503.678.2966 FAX: 503.678.6876 WEB: WWW.ALLIANCEWINDOW.NET