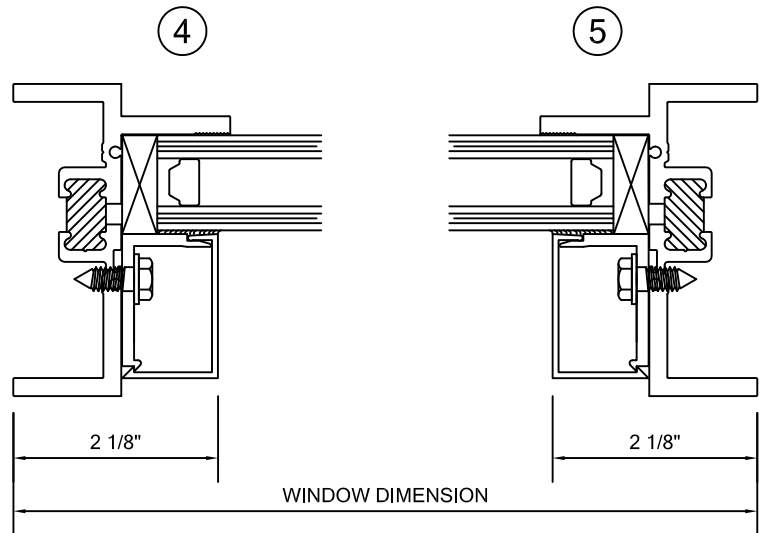
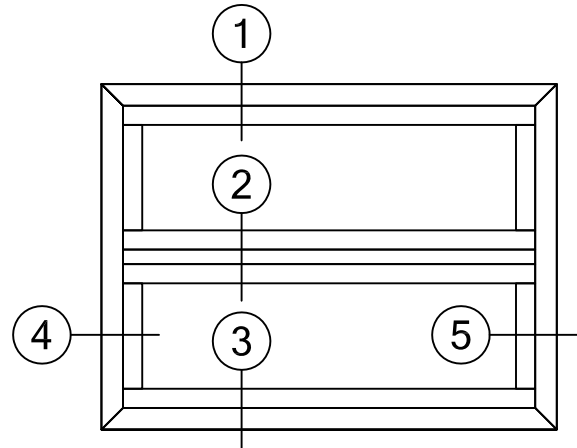
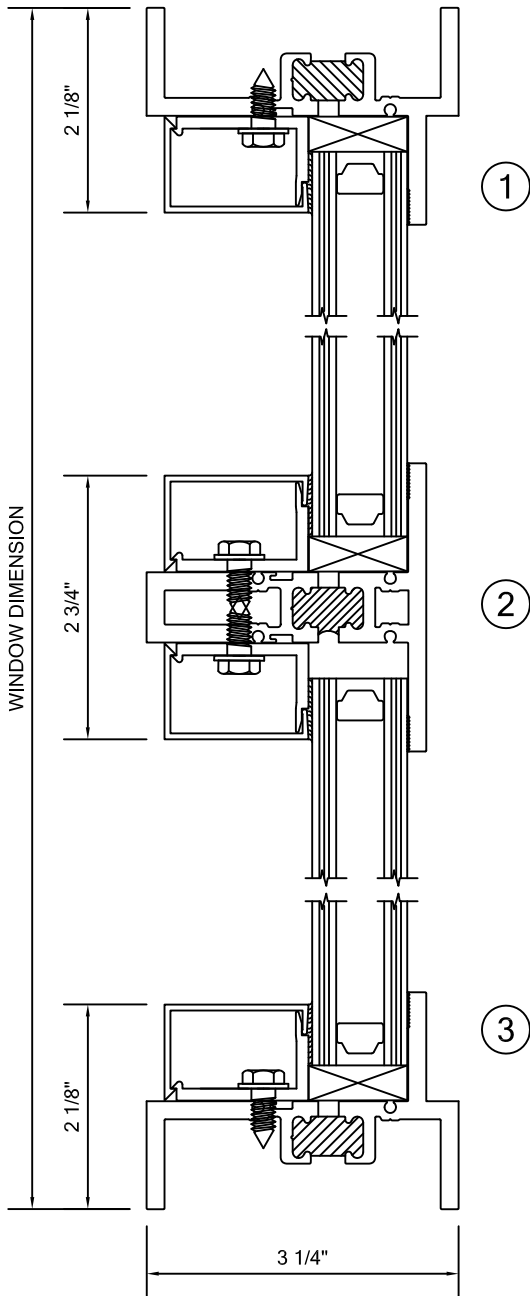


ALLIANCE WINDOW COMPANY, INC

Commercial Aluminum Windows & Doors

PRODUCT INFORMATION:
 FIXED WINDOW
 2000 SERIES
 3-1/4" FRAME DEPTH
 MFG CODE: 2950 FOG
 - AAMA HC-80 RATED
 - CRF OF 58
 - STC 39
 - 120 PSI STRUCTURAL
 - 18 PSF WATER

*THERMAL FRAME SHOWN ALSO
 AVAILABLE WITH NON-THERMAL FRAMING



14152 ARNDT ROAD N.E. AURORA, OREGON 97002
 PHONE: 503.678.2966 FAX: 503.678.6876
 WWW.ALLIANCEWINDOW.NET