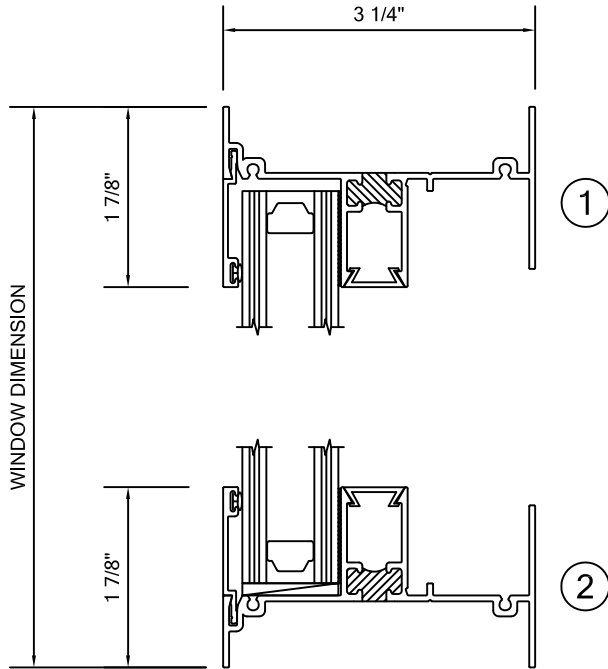


ALLIANCE WINDOW COMPANY, INC

Commercial Aluminum Windows & Doors



PRODUCT INFORMATION:

FIXED WINDOW

200 / 600 SERIES

3-1/4" FRAME DEPTH

MFG CODE: 250 FOG / 650 FOG

- AAMA HC-60 RATED

- CRF OF 54

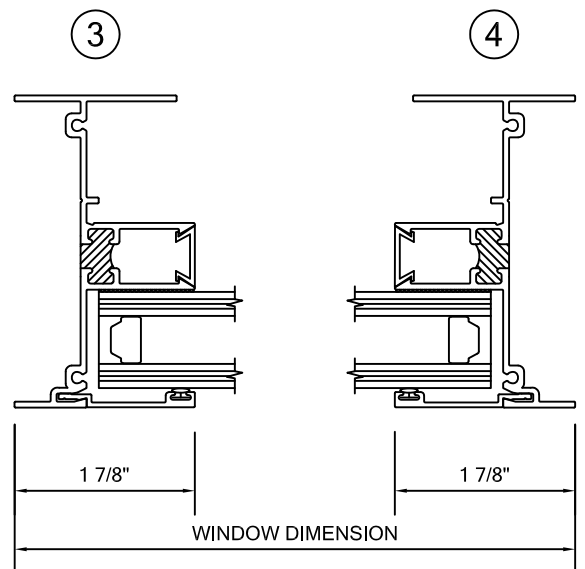
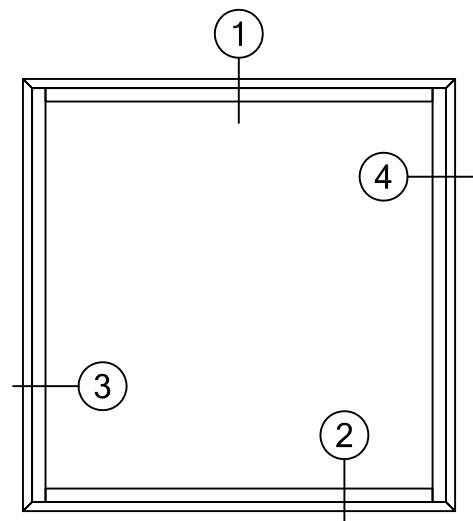
- STC 36

- 90 PSF STRUCTURAL

- 13.5 PSF WATER

*THERMAL FRAME SHOWN ALSO

AVAILABLE WITH NON-THERMAL FRAMING



*FRAMING SHOWN AS EQUAL LEG, ALSO AVAILABLE IN NAIL FIN, FLANGE FRAME AND PROJECT SPECIFIC APPLICATIONS.

14152 ARNDT ROAD N.E. AURORA, OREGON 97002

PHONE: 503.678.2966 FAX: 503.678.6876 WEB: WWW.ALLIANCEWINDOW.NET