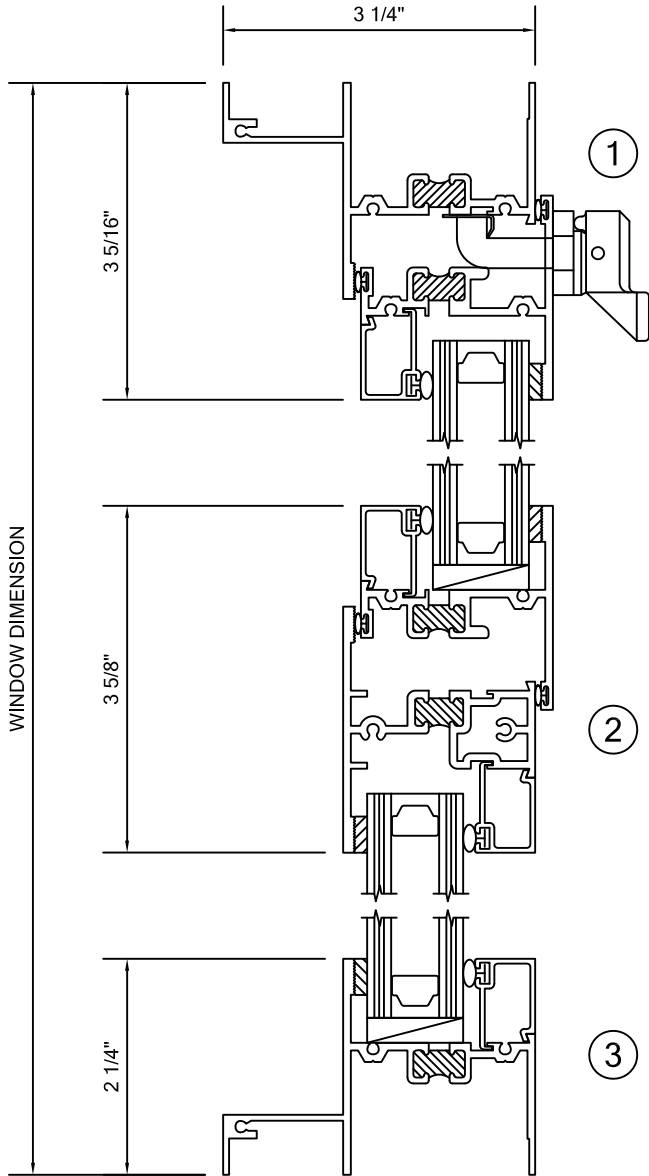


ALLIANCE WINDOW COMPANY, INC

Commercial Aluminum Windows & Doors



PRODUCT INFORMATION:
FIXED/ PROJECTED WINDOW
2000 SERIES

3-1/4" FRAME DEPTH
MFG CODE: 2350 PIOG

- AAMA C-70 RATED

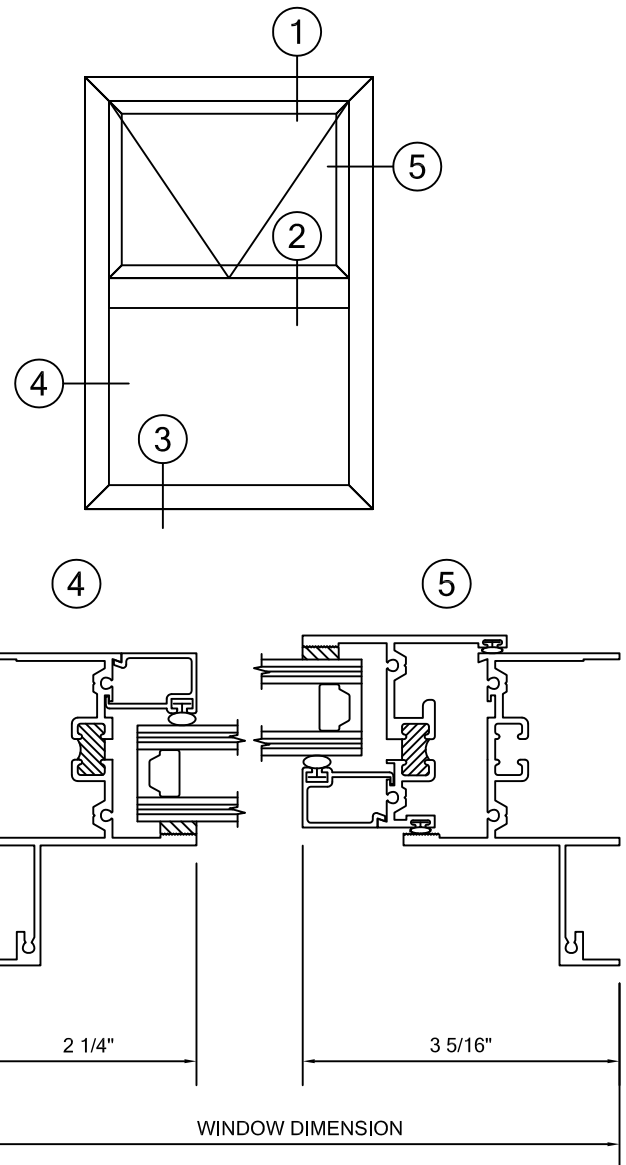
- CRF OF 58

- STC 39

- 105 PSF STRUCTURAL

- 12 PSF WATER

*THERMAL FRAME SHOWN ALSO
AVAILABLE WITH NON-THERMAL FRAMING



*FRAMING SHOWN AS EQUAL LEG, ALSO AVAILABLE IN NAIL FIN,
FLANGE FRAME AND PROJECT SPECIFIC APPLICATIONS.

14152 ARNDT ROAD N.E. AURORA, OREGON 97002

PHONE: 503.678.2966 FAX: 503.678.6876 WEB: WWW.ALLIANCEWINDOW.NET