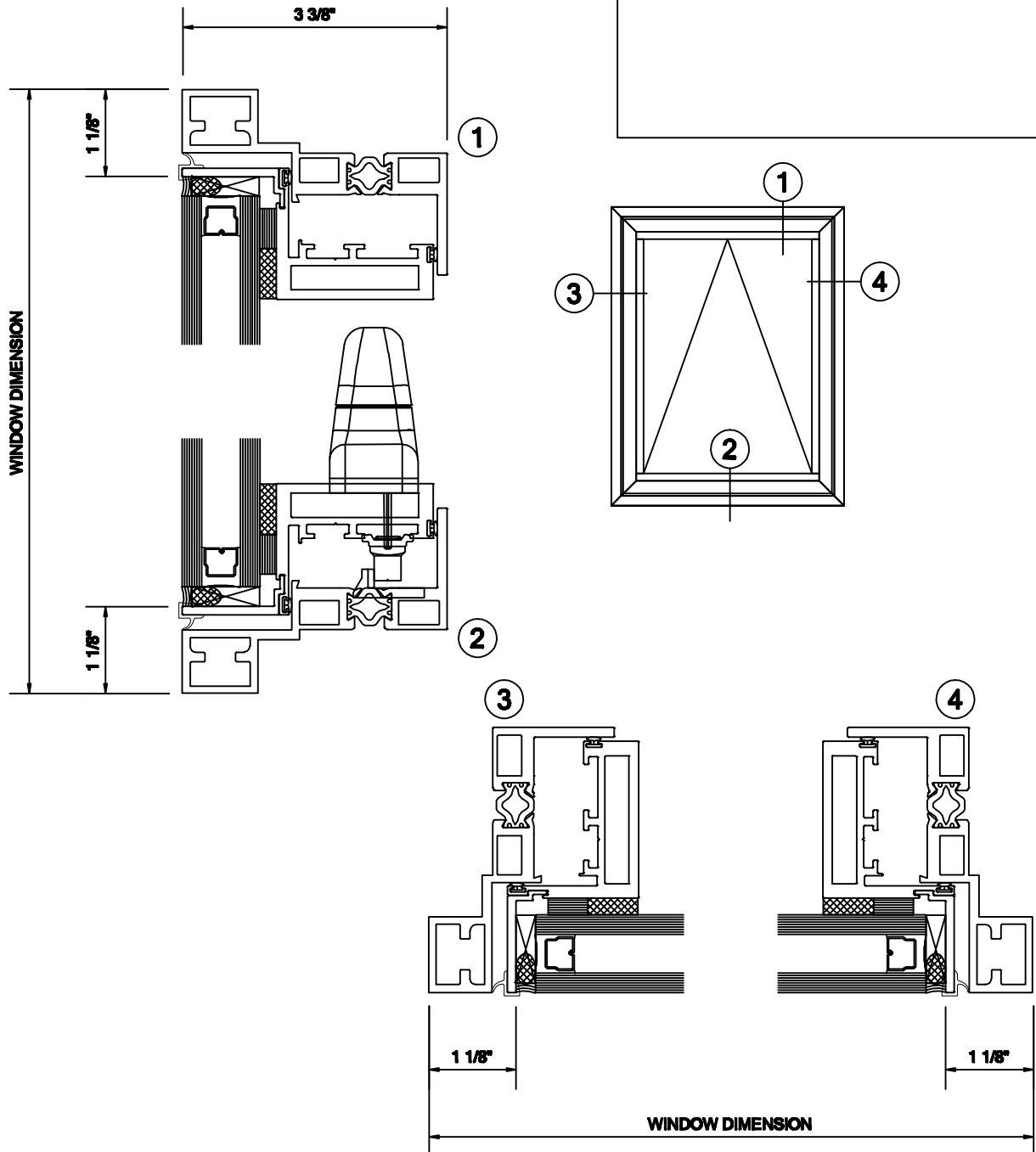


ALLIANCE WINDOW COMPANY, INC

PRODUCT INFORMATION:
PROJECTED WINDOW
2000 SERIES
3-3/8" FRAME DEPTH
MFG CODE: 2100 TS GIP
- AAMA CW 100 RATED
- 180 PSF STRUCTURAL
- 15 PSF WATER

Commercial Aluminum Windows & Doors



14152 ARNDT ROAD N.E. AURORA, OREGON 97002
PHONE: 503.678.2966 FAX: 503.678.6876 WEB: WWW.ALLIANCEWINDOW.NET