

# ALLIANCE WINDOW COMPANY, INC

Commercial Aluminum Windows & Doors

**PRODUCT INFORMATION:**

PROJECTED WINDOW

2000 SERIES

2" FRAME DEPTH

MFG CODE: 2050 POIG

- AAMA C-70 RATED

- CRF OF 58

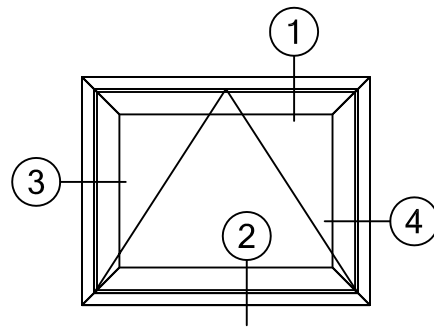
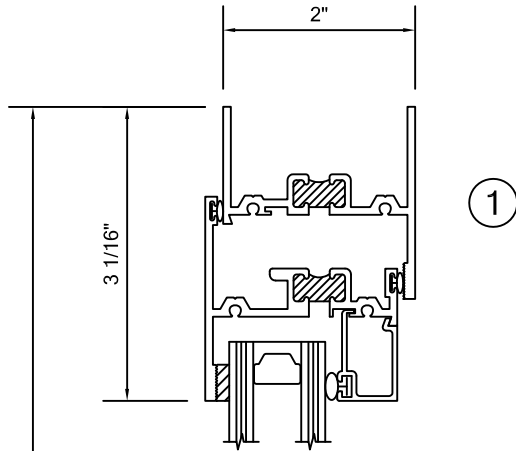
- STC 39

- 105 PSF STRUCTURAL

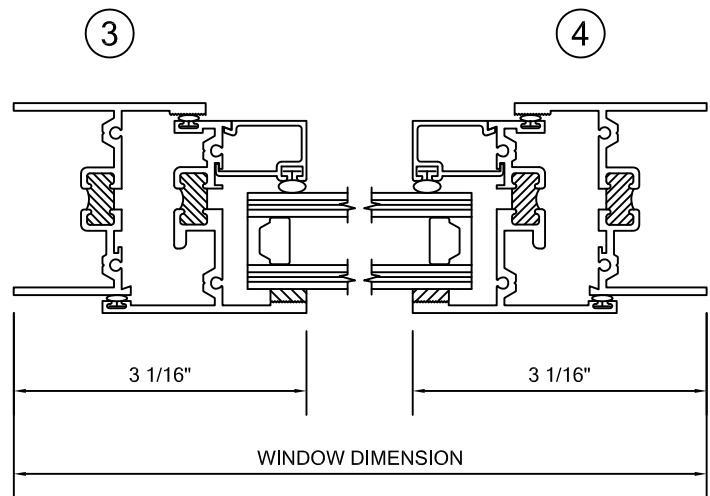
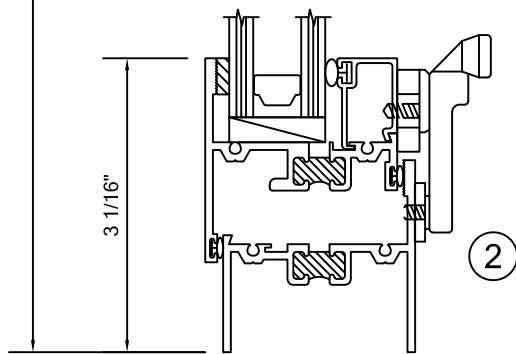
- 12 PSF WATER

\*THERMAL FRAME SHOWN ALSO

AVAILABLE WITH NON-THERMAL FRAMING



WINDOW DIMENSION



\*FRAMING SHOWN AS EQUAL LEG, ALSO AVAILABLE IN NAIL FIN, FLANGE FRAME AND PROJECT SPECIFIC APPLICATIONS.

14152 ARNDT ROAD N.E. AURORA, OREGON 97002

PHONE: 503.678.2966 FAX: 503.678.6876 WEB: WWW.ALLIANCEWINDOW.NET