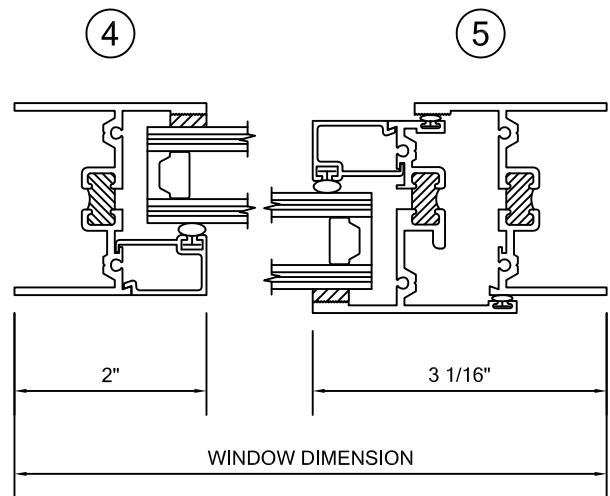
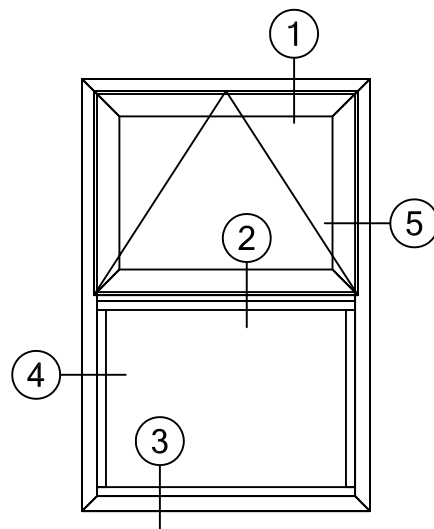
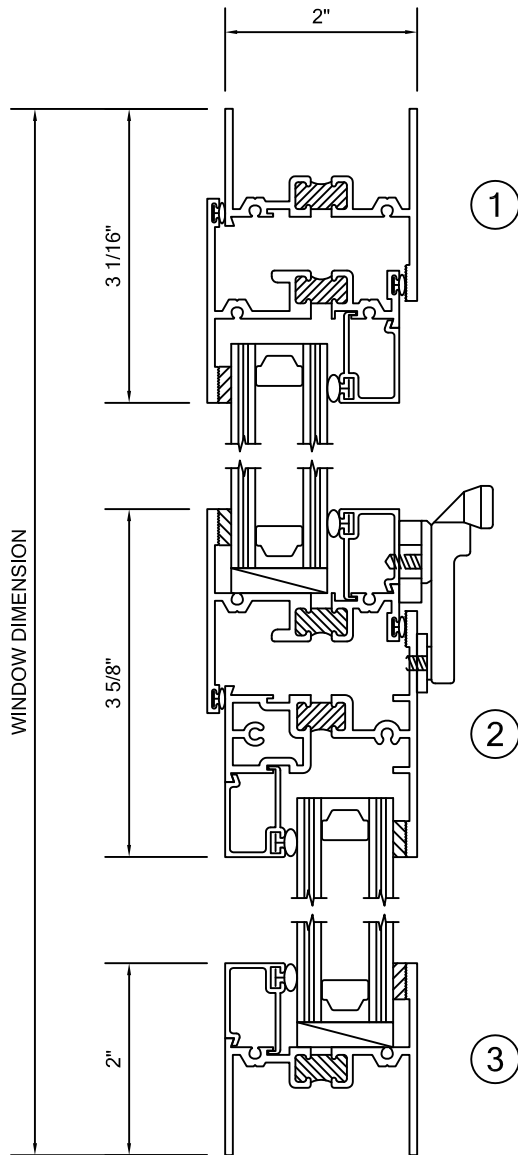


ALLIANCE WINDOW COMPANY, INC

Commercial Aluminum Windows & Doors

PRODUCT INFORMATION:
 FIXED/ PROJECTED WINDOW
 2000 SERIES
 2" FRAME DEPTH
 MFG CODE: 2050 POIG
 - AAMA C-70 RATED
 - CRF OF 58
 - STC 39
 - 105 PSF STRUCTURAL
 - 12 PSF WATER

*THERMAL FRAME SHOWN ALSO
 AVAILABLE WITH NON-THERMAL FRAMING



*FRAMING SHOWN AS EQUAL LEG, ALSO AVAILABLE IN NAIL FIN,
 FLANGE FRAME AND PROJECT SPECIFIC APPLICATIONS.