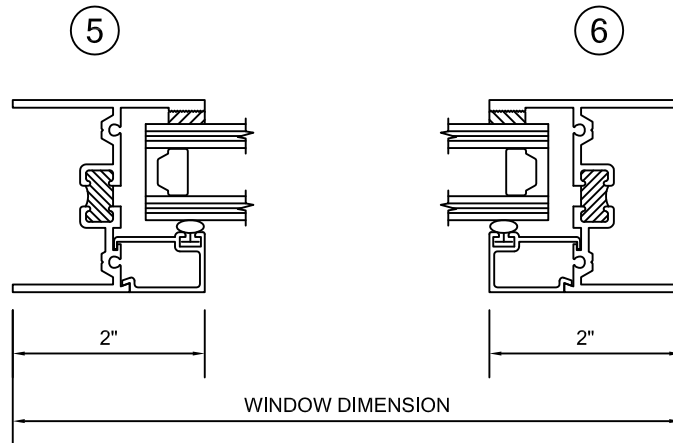
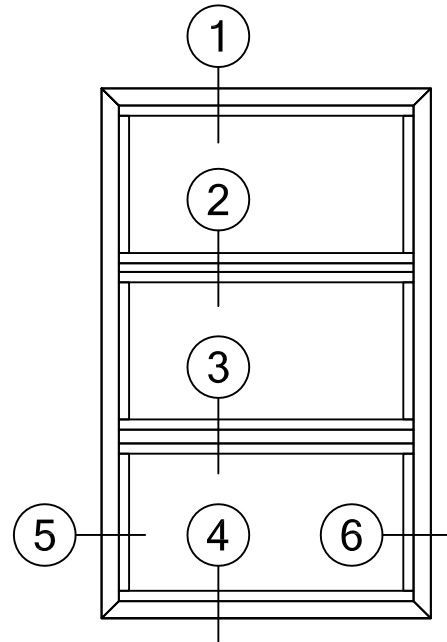
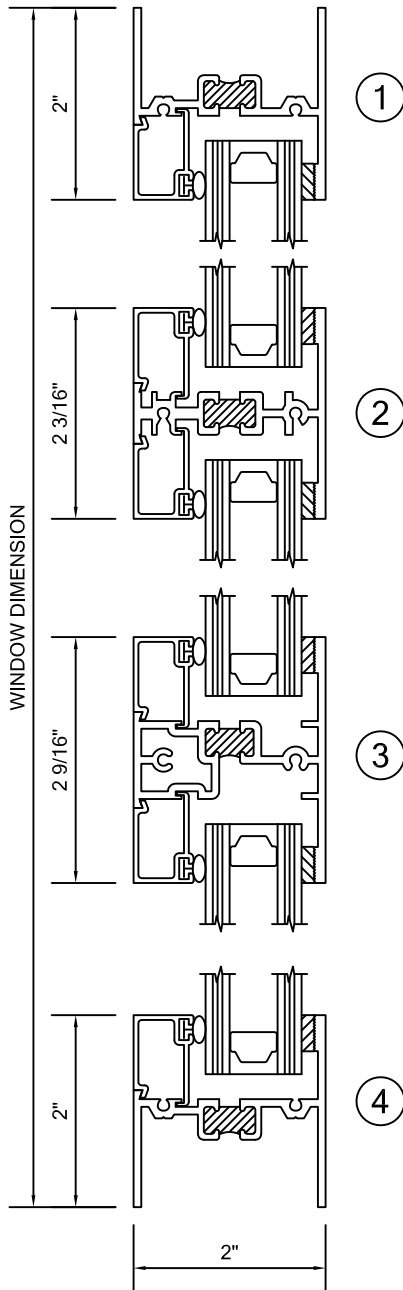


# ALLIANCE WINDOW COMPANY, INC

Commercial Aluminum Windows & Doors

**PRODUCT INFORMATION:**  
 FIXED WINDOW  
 2000 SERIES  
 2" FRAME DEPTH  
 MFG CODE: 2050 FOG  
 - AAMA HC-80 RATED  
 - CRF OF 58  
 - STC 39  
 - 120 PSI STRUCTURAL  
 - 18 PSF WATER

\*THERMAL FRAME SHOWN ALSO  
 AVAILABLE WITH NON-THERMAL FRAMING



\*FRAMING SHOWN AS EQUAL LEG, ALSO  
 AVAILABLE ARE NAIL FIN, FLANGE FRAME, AND  
 PROJECT SPECIFIC APPLICATIONS.

14152 ARNDT ROAD N.E. AURORA, OREGON 97002  
 PHONE: 503.678.2966 FAX: 503.678.6876  
 WWW.ALLIANCEWINDOW.NET