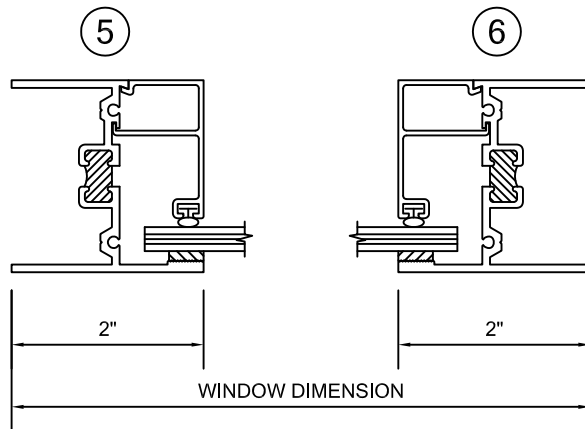
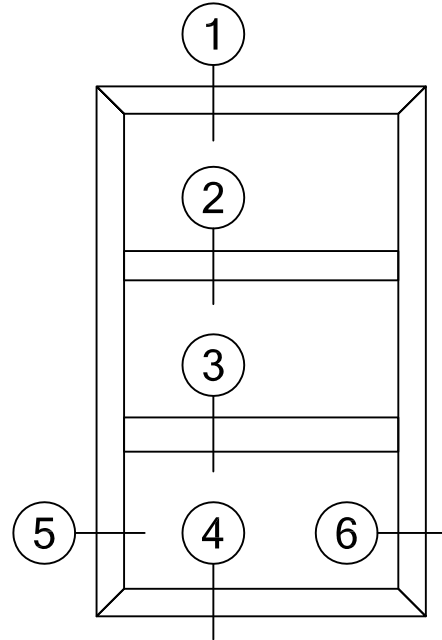
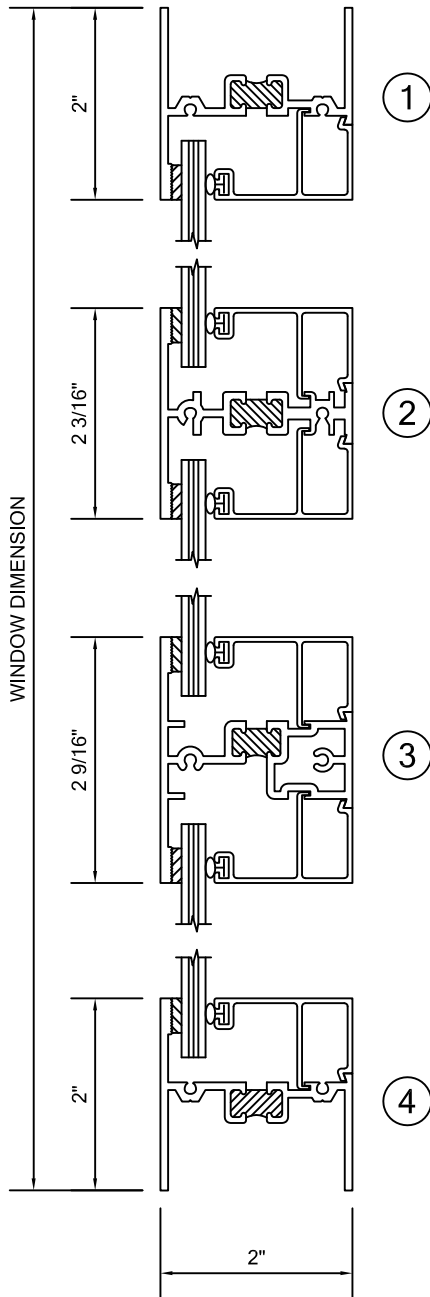


ALLIANCE WINDOW COMPANY, INC

PRODUCT INFORMATION:
 FIXED WINDOW
 2000 SERIES
 2" FRAME DEPTH
 MFG CODE: 2050 FIG
 - AAMA HC-80 RATED
 - 120 PSI STRUCTURAL
 - 18 PSF WATER

Commercial Aluminum Windows & Doors

*THERMAL FRAME SHOWN ALSO
 AVAILABLE WITH NON-THERMAL FRAMING



*FRAMING SHOWN AS EQUAL LEG, ALSO
 AVAILABLE ARE NAIL FIN, FLANGE FRAME, AND
 PROJECT SPECIFIC APPLICATIONS.

14152 ARNDT ROAD N.E. AURORA, OREGON 97002
 PHONE: 503.678.2966 FAX: 503.678.6876
 WWW.ALLIANCEWINDOW.NET