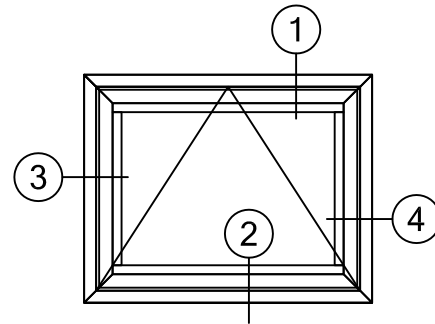
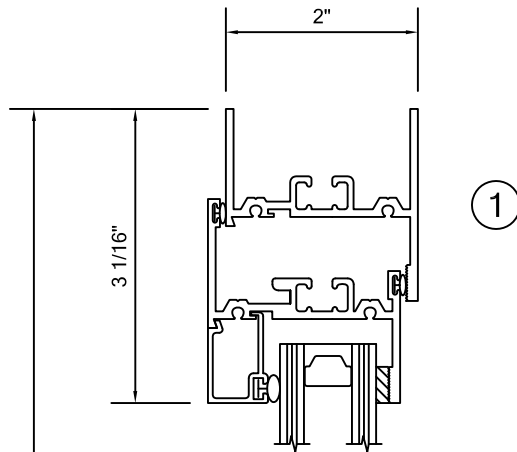


# ALLIANCE WINDOW COMPANY, INC

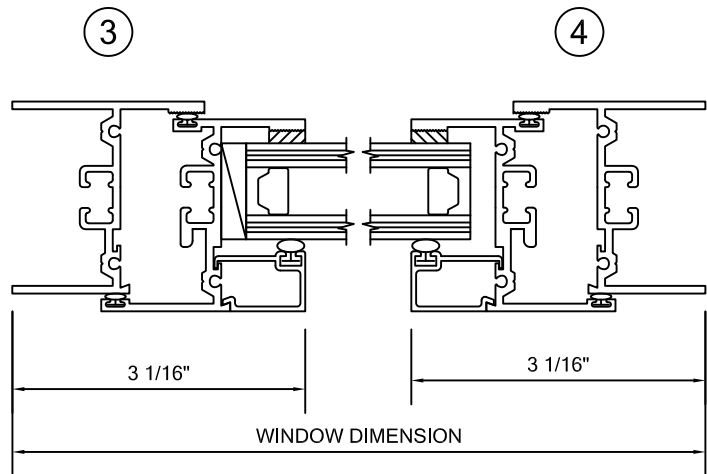
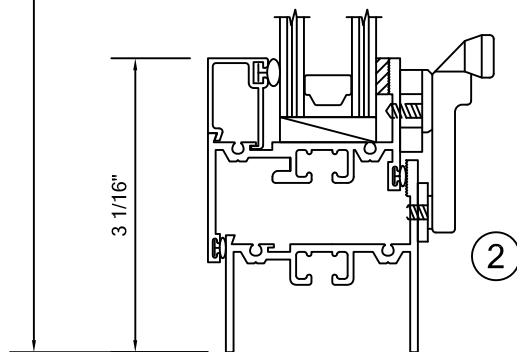
## Commercial Aluminum Windows & Doors

PRODUCT INFORMATION:  
FIXED/ PROJECTED WINDOW  
2000 SERIES  
2" FRAME DEPTH  
MFG CODE: 2000 POOG  
- AAMA C-70 RATED  
- CRF OF 58  
- STC 39  
- 105 PSF STRUCTURAL  
- 12 PSF WATER

\*NON-THERMAL FRAME SHOWN ALSO  
AVAILABLE WITH THERMAL FRAMING



WINDOW DIMENSION



\*FRAMING SHOWN AS EQUAL LEG, ALSO AVAILABLE IN NAIL FIN,  
FLANGE FRAME AND PROJECT SPECIFIC APPLICATIONS.

14152 ARNDT ROAD N.E. AURORA, OREGON 97002  
PHONE: 503.678.2966 FAX: 503.678.6876 WEB: WWW.ALLIANCEWINDOW.NET