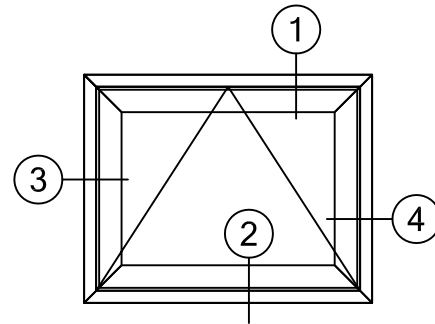
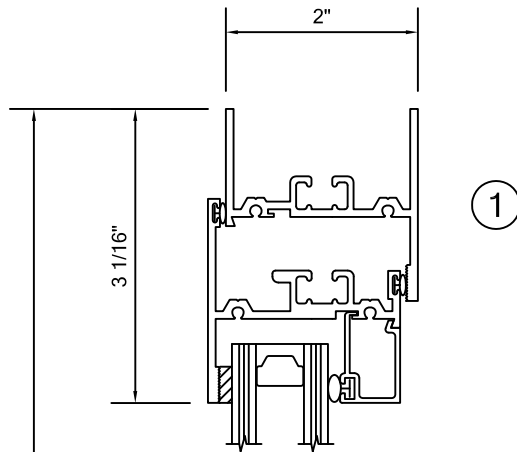


ALLIANCE WINDOW COMPANY, INC

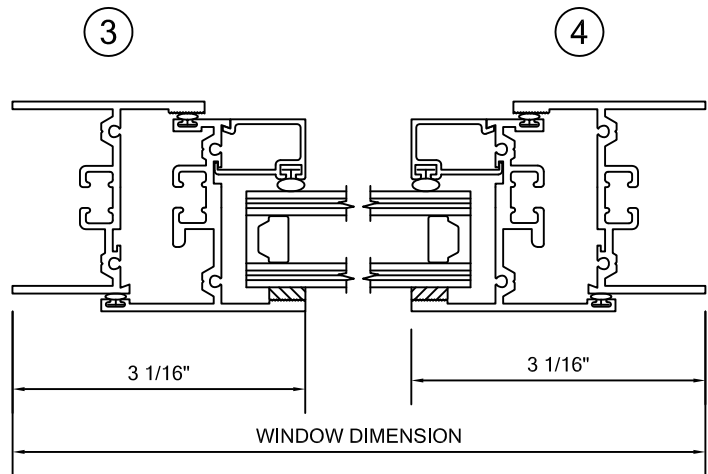
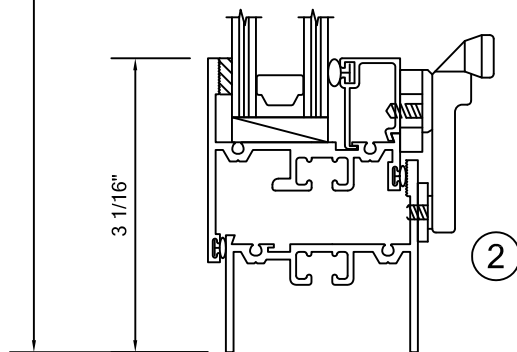
Commercial Aluminum Windows & Doors

PRODUCT INFORMATION:
 PROJECTED WINDOW
 2000 SERIES
 2" FRAME DEPTH
 MFG CODE: 2000 POIG
 - AAMA C-70 RATED
 - CRF OF 58
 - STC 39
 - 105 PSF STRUCTURAL
 - 12 PSF WATER

*NON-THERMAL FRAME SHOWN ALSO
 AVAILABLE WITH THERMAL FRAMING



WINDOW DIMENSION



*FRAMING SHOWN AS EQUAL LEG, ALSO AVAILABLE IN NAIL FIN,
 FLANGE FRAME AND PROJECT SPECIFIC APPLICATIONS.