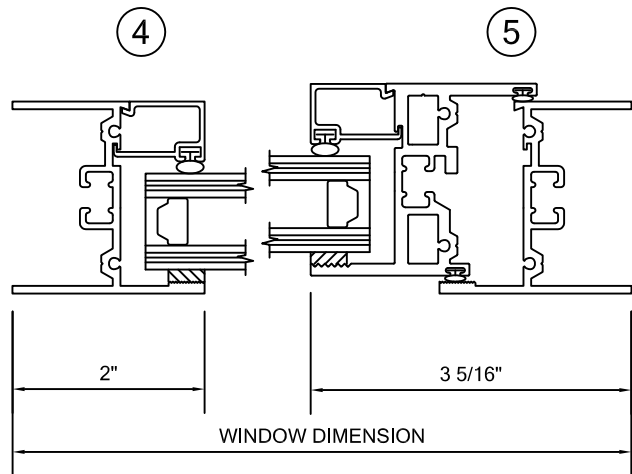
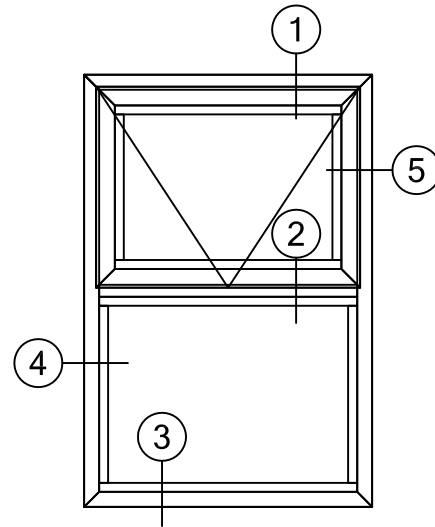
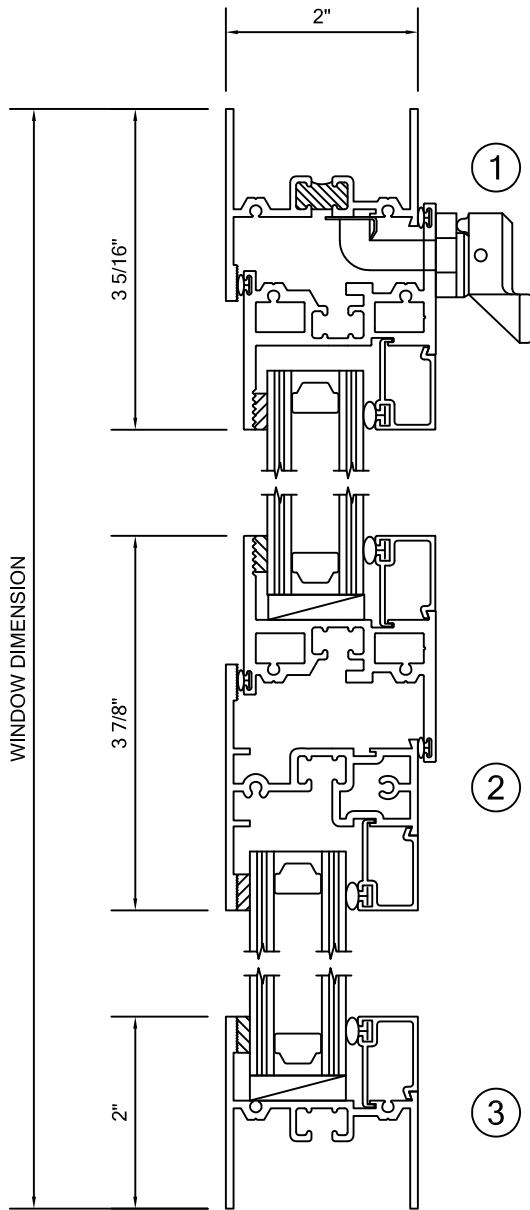


# ALLIANCE WINDOW COMPANY, INC

Commercial Aluminum Windows & Doors

**PRODUCT INFORMATION:**  
 FIXED/ PROJECTED WINDOW  
 2000 SERIES  
 2" FRAME DEPTH  
 MFG CODE: 2000 HC PIIG  
 - AAMA HC-80 RATED  
 - CRF OF 58  
 - STC 39  
 - 120 PSF STRUCTURAL  
 - 18 PSF WATER

\*NON-THERMAL FRAME SHOWN ALSO  
 AVAILABLE WITH THERMAL FRAMING



\*FRAMING SHOWN AS EQUAL LEG, ALSO AVAILABLE IN NAIL FIN,  
 FLANGE FRAME AND PROJECT SPECIFIC APPLICATIONS.

14152 ARNDT ROAD N.E. AURORA, OREGON 97002  
 PHONE: 503.678.2966 FAX: 503.678.6876 WEB: WWW.ALLIANCEWINDOW.NET