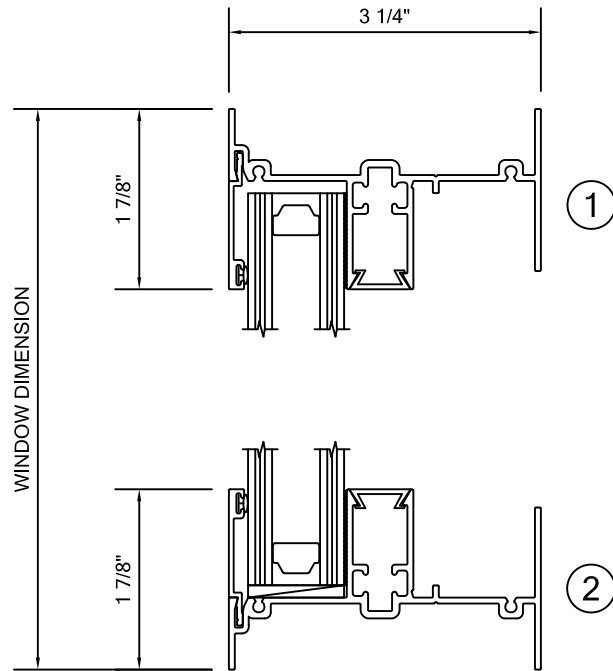


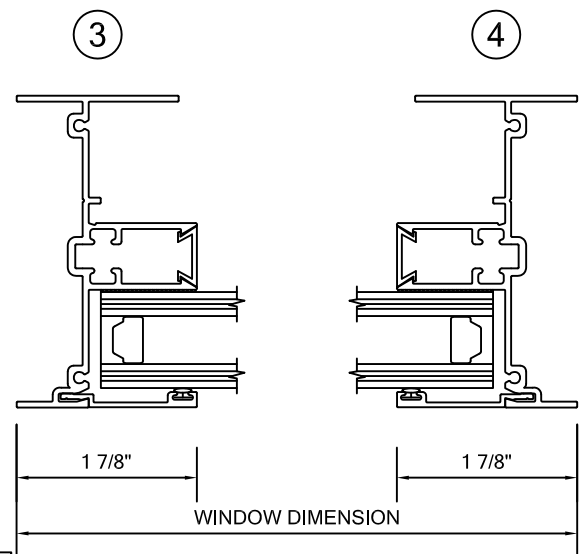
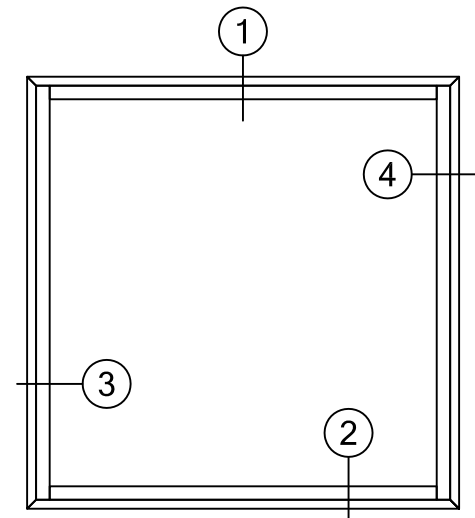
# ALLIANCE WINDOW COMPANY, INC

## Commercial Aluminum Windows & Doors



**PRODUCT INFORMATION:**  
 FIXED WINDOW  
 200 / 600 SERIES  
 3-1/4" FRAME DEPTH  
 MFG CODE: 200 FOG / 600 FOG  
 - AAMA HC-60 RATED  
 - CRF OF 54  
 - STC 36  
 - 90 PSF STRUCTURAL  
 - 13.5 PSF WATER

\*NON-THERMAL FRAME SHOWN ALSO  
 AVAILABLE WITH THERMAL FRAMING



\*FRAMING SHOWN AS EQUAL LEG, ALSO AVAILABLE IN NAIL FIN,  
 FLANGE FRAME AND PROJECT SPECIFIC APPLICATIONS.